

CS*

CHICKEN SWITCH®

**A Portable Actuator for Remotely Operating
Selected GE AK Breakers**



Model AK-12F

User's Manual

CS*

CHICKEN SWITCH®

*User's Manual
For Model AK-12F*

- 1.0 Arc-blast Hazards**
- 2.0 Safety Information**
 - 2.1 Finger pinch points
 - 2.2 Strong magnets
- 3.0 Battery Information**
 - 3.0 Battery Requirements
 - 3.1 Battery Life
 - 3.2 Battery Replacement
 - 3.3 Connecting/Disconnecting Batteries
 - 3.4 Static Discharge Potential
- 4.0 Operation**
 - 4.1 Connecting the control cable
 - 4.2 Sequence of operation
 - 4.3 Attaching and removing the actuator
 - 4.4 Indicator lights
- 5.0 Care and Storage**
 - 5.1 Cleaning debris from magnets
 - 5.2 Storage
- 6.0 Warranty**
- 7.0 Specifications**

1.0 Arc-blast Hazards

The hazards associated with electrical arc-blasts are well documented. Studies conducted by numerous industries and professional organizations have sought to quantify the intensity of arc-blast, the risks to personnel, and various methodologies for mitigating the risks.

Without doubt, increasing the distance between the arc and a human is the single greatest favorable factor in reducing injuries.

The Chicken Switch® is not a panacea but rather one more tool available for protecting workers while they are performing electrical switching.

Using a Chicken Switch® may not negate the need for additional personal protective measures. The user is ultimately responsible for evaluating each situation to determine if additional protective measures are needed.



WARNING

Electrical switching may present risk of serious injury or death. This device should only be used by qualified persons after careful analysis of the hazards.

2.0 Safety Information

ALWAYS connect the control cable to the actuator BEFORE installing the Chicken Switch®.

2.1 Finger pinch points

Keep fingers clear of the bottom of the actuator when the actuator is near a ferrous surface.

2.2 Strong magnets

The holding magnets are very strong. Keep magnetically-sensitive objects such as watches or computer disks away from the bottom of the actuator.

3.0 Battery Requirements

- Eight (8) AA alkaline cells are required. Carefully observe polarity when installing cells.
- Rechargeable batteries are not recommended.

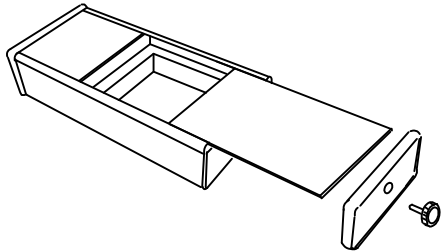
3.1 Battery Life

- A set of fresh alkaline cells should give hundreds of operations.
- The Chicken Switch® is designed as a portable device. It is not designed to remain with the control unit connected to the actuator for extended periods of time. To do so will

deplete a fresh set of batteries in approximately four to five days.

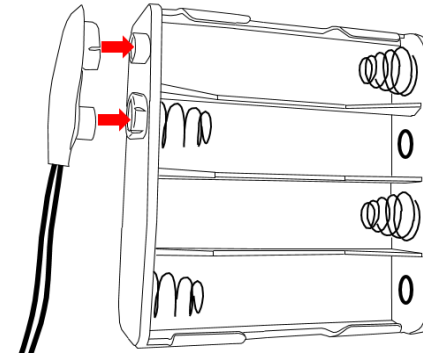
3.2 Battery Replacement

- ALWAYS disconnect the control cable before replacing batteries to avoid possible static damage of the electronics!



- Turn the control station upside down, remove the endplate retaining knob. Remove the endplate and slide the cover out as shown above.

3.3 To connect/disconnect batteries:



3.4 CAUTION: Static Discharge Potential

- To avoid possible damage to electronic components disconnect the control cable before replacing batteries.

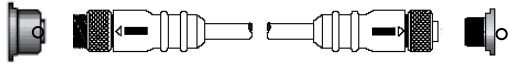
WARNING

To avoid possible damage to electronic components disconnect control cable before replacing batteries.

4.0 Operation

ALWAYS connect the control cable to the actuator BEFORE installing the Chicken Switch®.

4.1 Connecting the control cable:



1. Align the arrow on the cable end with the top of the receptacle.
2. Push in and engage the threads on the coupling nut and turn clockwise.
3. After one or two turns of the coupling nut, push in on the cable end. Repeat this until the connector is fully seated.
4. Use a similar technique of turn-stop-and-pull to disengage the cable ends.

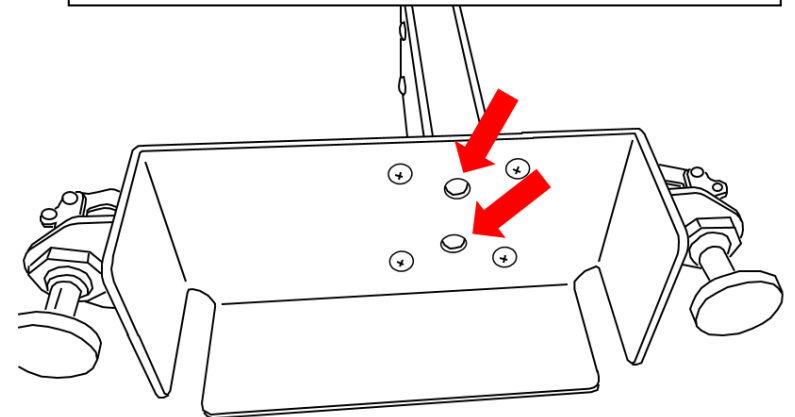
4.2 Sequence of Operation:

1. The breaker must be charged prior to installing the actuator.
2. Connect the control cable to the actuator and to the hand-held controller.
3. Position the actuator on the breaker by completing the steps on the following pages.
4. Ensure you are at a safe distance from the circuit breaker that is to be operated.
5. Turn the Power Switch on top of the hand-held controller to the ON position. The amber LED should illuminate indicating the unit is ready.

6. When ready to operate the actuator, press and HOLD the ENABLE button while depressing either then TRIP or CLOSE button for the desired operation. Both buttons must be held depressed until the actuator had fully depressed the button.
NOTE: Breakers with MANUAL CLOSE handles can only be TRIPPED with the AK12F – it is not capable of CLOSING the breaker.
7. Release the ENABLE and TRIP or CLOSE buttons and the actuator will retract.

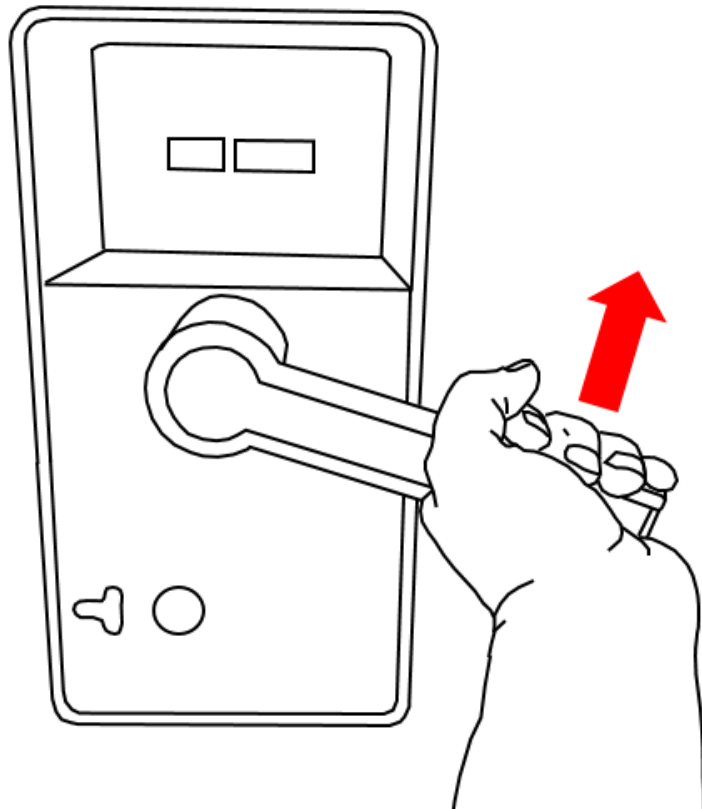
4.3 Attaching and Removing the Actuator:

STEP #1 – Before installing the actuator, verify that the plungers are fully retracted below the actuator frame surface. If plungers are NOT fully retracted, DO NOT install the actuator. Doing so could cause the breaker to inadvertently trip or close.

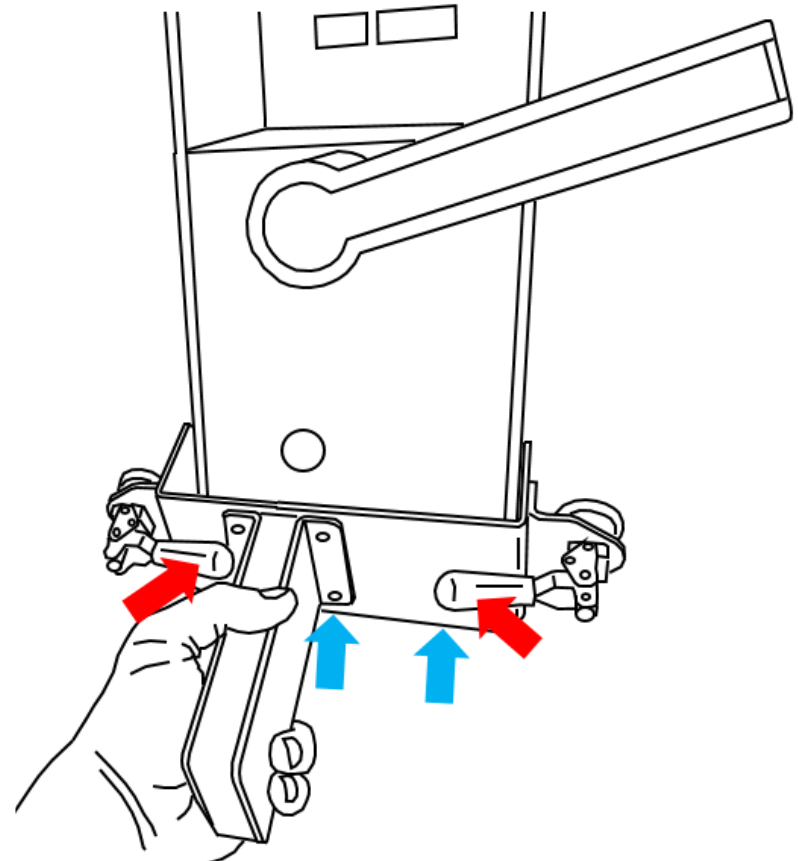


The AK12F will operate both the TRIP and CLOSE function on ELECTRICALLY OPERATED breakers. If your breaker has a MANUAL CLOSE handle, the AK12F can ONLY be used to trip the breaker.

STEP #2 – If your breaker has a MANUAL CLOSE handle and you desire to TRIP the breaker using the AK12F, you must first raise the handle to the 3 o'clock position to make room to install the AK12F. If your breaker does not have a MANUAL CLOSE handle, skip this step.

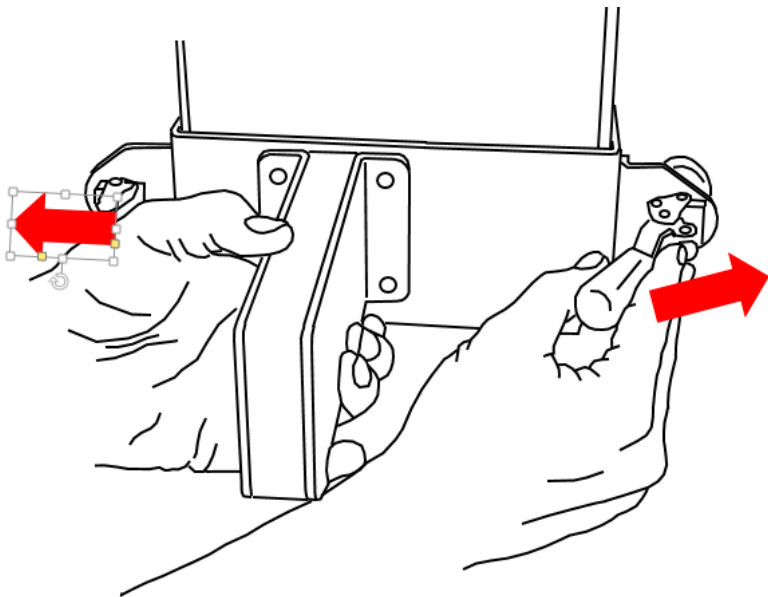


STEP #3 – Rotate the magnet levers inward so that the magnets are retracted. (see RED arrows)

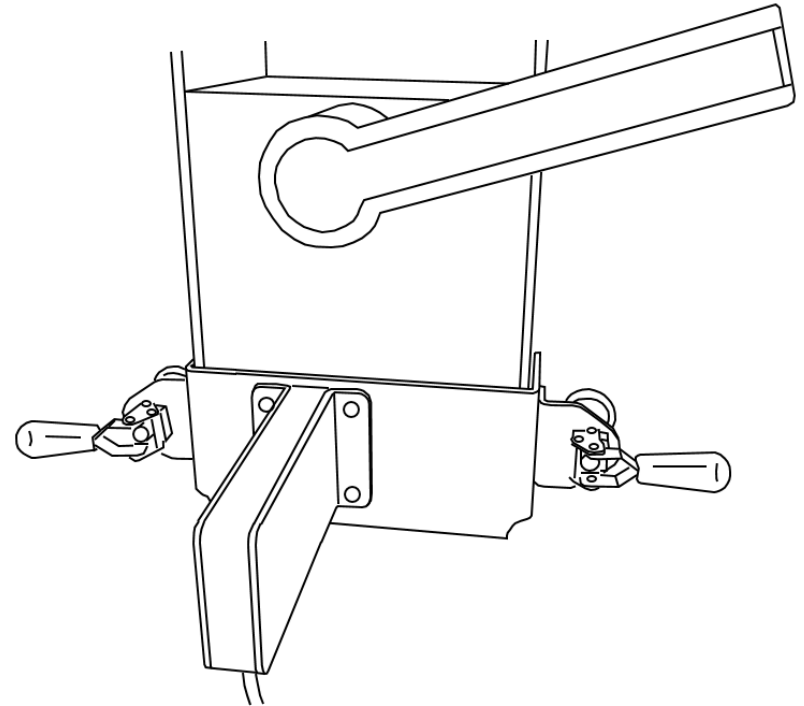


STEP #4 – Align the actuator on the bottom of the breaker and lift up the actuator frame up against the bottom edge of the breaker. (see BLUE arrows)

STEP #5 – While continuing to hold the actuator frame against the bottom edge of the breaker, flip the magnet levers so the magnets engage the switchgear door.
NOTE: The actuator frame must be up against the bottom breaker edge or the actuator plungers will not align properly with the breaker TRIP and CLOSE buttons.



STEP #6 – Actuator shown installed and ready to use.



STEPS TO REMOVE THE ACTUATOR

To remove the actuator, perform the above steps in the reverse order.

4.4 The indicator lights & controls:

NOTE: Red and Green indicator lights only work when the ENABLE button is depressed.

GREEN: indicates the actuator is being commanded to extend the ON actuator.

RED: indicates the actuator is being commanded to extend the OFF actuator.

YELLOW: indicates the hand-held controller is powered and is ready.

Rapidly blinking YELLOW indicates the battery voltage with zero load has fallen to an unacceptable level. Operation is inhibited until batteries with an acceptable voltage level are installed.

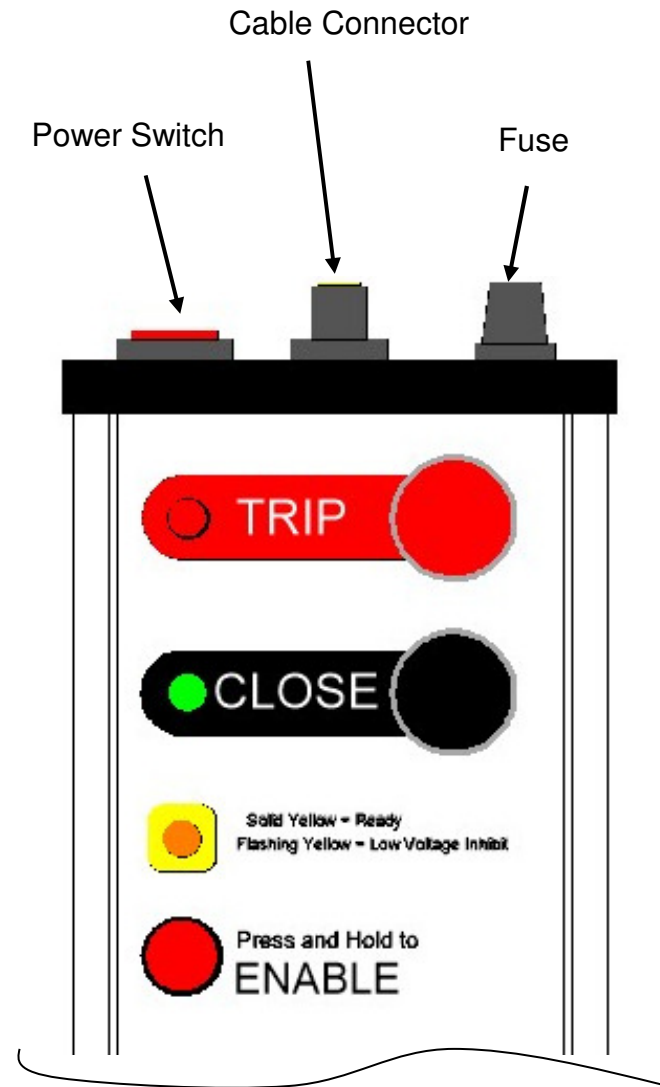
The ENABLE button:

The Enable button must be continuously depressed in order to command the actuator.

Releasing the enable button has the same affect as releasing either the ON or OFF buttons – both actuators will move to the retracted position.

Note:

If either of the actuators are held in the extended position for longer than approximately 2 seconds the actuator will de-energize and will remain in extended position. When the pushbutton or the enable button is released, the actuator will retract.



5.0 Care and Storage

5.1 Cleaning the magnets

Over a period of time, the magnets may attract ferrous debris. Exercise care to avoid setting the actuator where the magnets might attract debris. If this does occur, use a paper towel or nylon bristle brush to clean the face of the magnets. Keeping the magnet faces clean ensures that maximum holding power is maintained.

5.2 Storage

Remove all batteries from the control station if the device will not be used for longer than 6 months.

Never store the batteries where the ambient temperature might exceed 110° F.

Avoid getting the unit wet or storing it in a high humidity location.

6.0 Warranty

MarTek Ltd. guarantees all products manufactured by MarTek Ltd. only against defects in materials and/or workmanship for a period of twelve (12) months commencing on the date the product is received by the customer. THIS WARRANTY IS IN LIEU OF ALL OTHER EXPRESS OR IMPLIED WARRANTIES INCLUDING THOSE OF MERCHANTABILITY AND FITNESS FOR A PARTICULAR PURPOSE.

MarTek Ltd. will, at its option and its cost (excluding shipping expenses), repair, replace or refund the purchase price of any product manufactured by MarTek Ltd. which has a defect in materials and/or workmanship. THIS IS CUSTOMER'S EXCLUSIVE REMEDY FOR BREACH OF WARRANTY. IN NO EVENT WILL MARTEK LTD'S LIABILITY FOR DAMAGES (WHETHER ARISING FROM BREACH OF CONTRACT OR WARRANTY, NEGLIGENCE, STRICT LIABILITY OR OTHERWISE) EXCEED THE PURCHASE PRICE OF THE PRODUCT CONCERNED NOR WILL MARTEK LTD. BE LIABLE FOR PUNITIVE, INCIDENTAL, CONSEQUENTIAL OR SPECIAL DAMAGES (INCLUDING WITHOUT LIMITATION LOST PROFITS) EVEN IF ADVISED OF THE POSSIBILITY OF SUCH DAMAGES.

MarTek Ltd. reserves the right to disallow warranty repairs if the unit has been disassembled or misused, as determined by MarTek Ltd. in good faith. Please contact us at (800)-248-4958 for a return authorization.

MarTek Ltd.

4782 Chimney Drive
Charleston, WV 25302
1-304-965-9220
1-800-248-4958

7.0

Specifications

MECHANICAL

Holding magnets:	Two magnets, each rated @ 55.1 lbs force, 12,600 Gauss.
Projected life:	20,000 operations

ELECTRICAL

Operating voltage:	12 volts DC
Fuse:	3 amp
Power supply:	8 AA alkaline disposable batteries. When used properly, one set of batteries should yield hundreds of operations.
Control Cable:	30 feet in length (9.1 meters), 5-conductor, extra-flexible, PUR insulation
Controller:	Requires two-hand operation. The 'enable' button must be depressed while depressing the ON or OFF buttons. A programmable micro-controller manages control inputs, linear actuators, and performs timing functions to protect the actuator in a stalled condition. Intelligent 'H-bridge' motor drivers provide start/stop/braking actuator functions

MarTek Ltd.

**4782 Chimney Drive
Charleston, WV 25302**

1-800-248-4958

www.chickenswitch.com

Chicken Switch is a Registered Trademark of MarTek Ltd.

US Patent 7,623,011

Copyright 2004-2016, MarTek Ltd. All rights reserved.